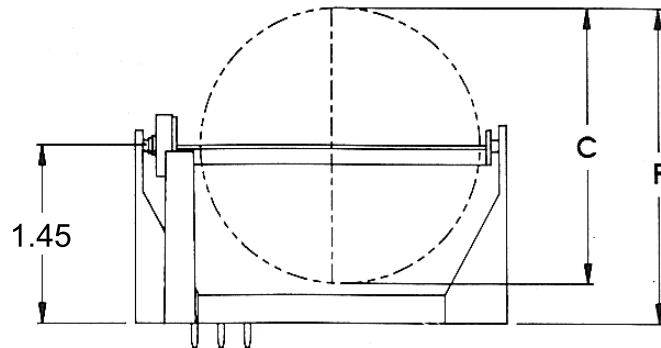


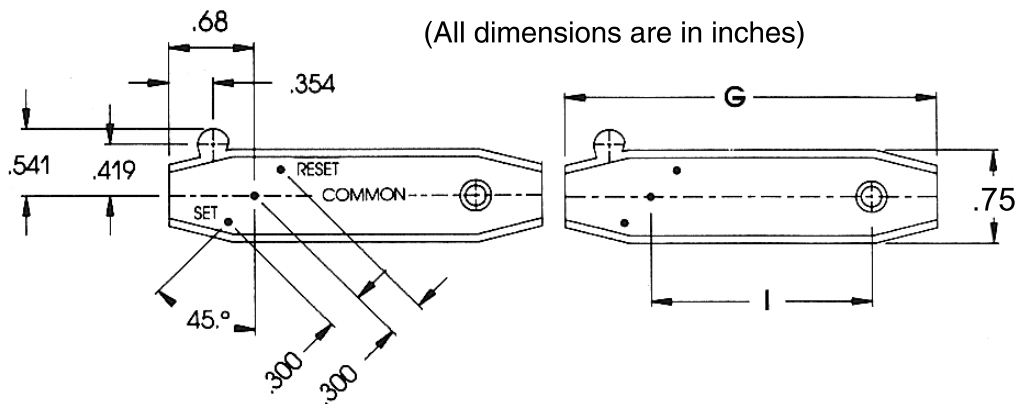
# SCORETRONICS

## Components Division

**972RFR -  
1872RFR**



(All dimensions are in inches)



Model Number	Dim C Dot Dia	Dim F Swing Hgt	Dim G Length	Dim I Mounting
972R	1.125	2.10	1.81	.596
1272R	1.50	2.29	2.24	1.026
1672R	2.00	2.54	2.74	1.526
1872R	2.25	2.66	2.99	1.776

### Electrical Data

Pulse Length, Min@ 12V	2 ms
Pulse Length, Min@ 18V	1 ms
Pulse Length, Min@ 30V	.5 ms
Current @ 12V Single Coil	.29 amp
Current @ 12V Bifilar Coil	.58 amp
Type of coil	Center tapped Coil with 3 terminals
DC Res. Center to Each Side	20.5
Max Coil Temperature	105C
Operating Temperature Range	-40C to +90C
Operating Rel. Humidity	Up to 95% @ +90C
Standard Color	Yellow
Optional Colors	Red-Orange, White